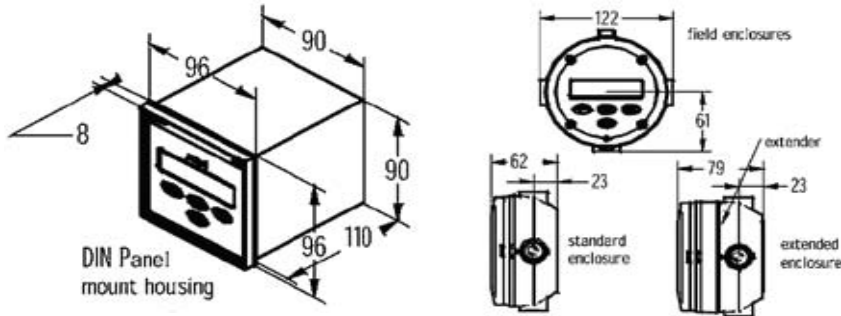


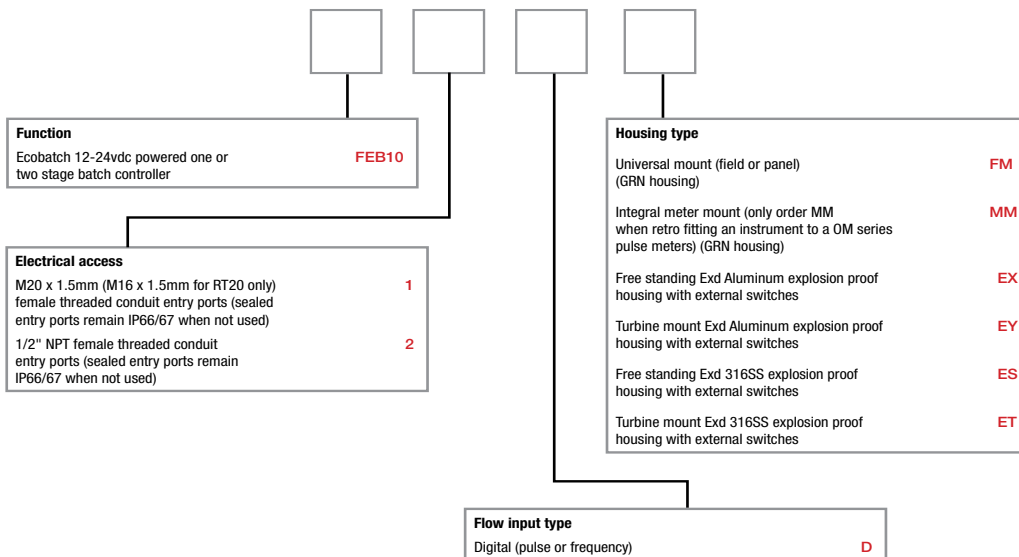
Instrumentation

EB series two stage batch controller

Dimensional Information



Options & Ordering Information Universal mounting version



Options & Ordering Information DIN panel mounting version

