



Frequency Meters

Frequency meters are suitable for the measurement of the frequency of an AC supply. All meters have a jewel and pivot movement which ensures reliability and accuracy. The frequency meters are available in shortscales (90°) versions or longscale (240°) versions.

All frequency meters have interchangeable scaleplates. Scales are linear and are calibrated from 45 to 65Hz with a suppressed zero. Frequency meters with dual scales (Hz & rpm) are available to display generator speed. High frequency (360-440Hz) meters and dual voltage input (110V & 230V) frequency meters are also available.

Models Available

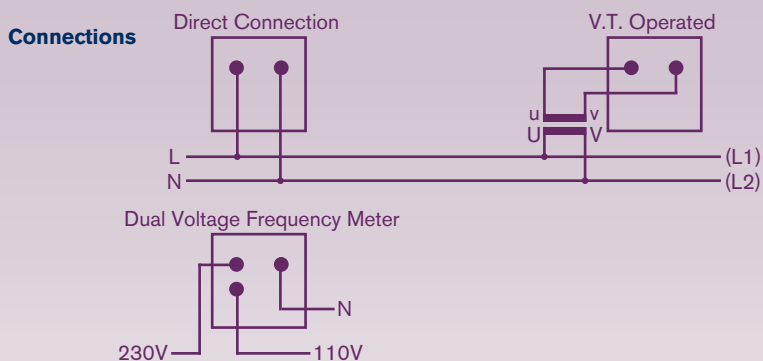
- FE48F** DIN48 Frequency Meter
- FE72F** DIN72 Frequency Meter
- FE96F** DIN96 Frequency Meter
- FE72LSF** DIN72 Longscale Frequency Meter
- FE96LSF** DIN96 Longscale Frequency Meter

Product Features

- Frequency measurement
- Standard DIN square sizes
- Interchangeable scaleplates
- Many options available (see page 22)

For dimensions see pages 23-24

Frequency Meters – for measurement of AC frequency



Specification

- Accuracy:**
 - Class 0.5 ($\pm 0.5\%$ max. error)
- Input Voltage, U_n :**
 - 110, 230 or 415V
- Scales:**
 - 45-65Hz
 - 45-65Hz & 1350-1950rpm
 - 360-440Hz
- Overload:**
 - 1.2 x U_n for 2 hours
 - 10 x U_n for 5 seconds
- Burden:**
 - 2VA at 230V
- Weight:**
 - FE48 150g
 - FE72 190g
 - FE96 290g

Ordering information

| Code | DIN Square Size & Movement Type | Scaling | Input |
|----------------|---------------------------------|------------------------|----------------|
| FE48 | 48 x 48mm Shortscale (90°) | - | - |
| FE72 | 72 x 72mm Shortscale (90°) | - | - |
| FE96 | 96 x 96mm Shortscale (90°) | - | - |
| FE72LS | 72 x 72mm Longscale (240°) | - | - |
| FE96LS | 96 x 96mm Longscale (240°) | - | - |
| F | - | 45-65Hz | - |
| FR | - | 45-65Hz & 1350-1950rpm | - |
| FD | - | 45-65Hz @ 110 & 230V | - |
| FH | - | 360-440Hz | - |
| Specify | - | - | 110, 230, 415V |
| Example | FE48 | F | 230V |