

INCLINED TUBE MANOMETER



ACCESSORIES AND OPTIONS

- Scale in other units than Pa. e.g., mm W.C.
- Special scale markings
- Customers logo
- Printed with other texts
- Hoses

Model DPA

The inclined tube manometer is intended for use in applications where measurement of low pressure and differential pressure is needed or in monitoring applications where clear and reliable reading must be made from a distance. Its design makes the instrument highly suitable for applications involving occasional differential pressures exceeding the measuring range.

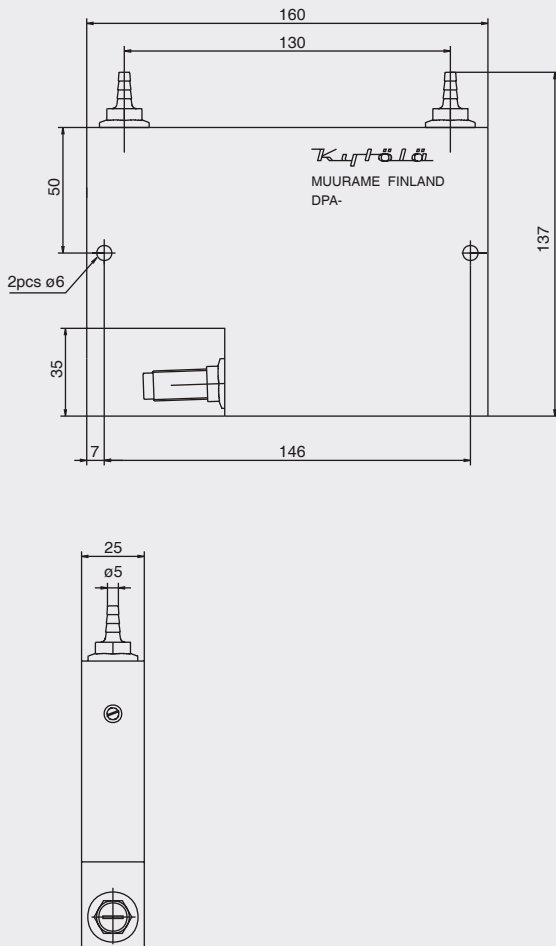
FEATURES

- Clear and easy reading
- Good contrast
- Zero adjustment screw
- Large filling liquid reservoir
- Metering liquid does not blow out during momentary overloads
- Due to the construction metering liquid does not evaporate during overloads
- Provided with filling liquid, mounting screws and instructions

TYPICAL APPLICATIONS

- Air conditioning strainers
- Blowers
- Dust filters
- Pressurized enclosures
- Draught measurement in furnaces
- Laboratories

INCLINED TUBE MANOMETER



Technical data DPA

Metering liquid	Red, hydrocarbon mixture, $\rho=0,78$
Weight (incl. liquid)	500 g
Body	Acrylic (PMMA)
Connectors	Polycarbonate (PC)
Seals	Nitrile
Max. overload	5-30 x measuring range (depends on the way of mounting)
Max. static pressure	10 bar
Ambient temperatur	-40 ... +50 °C
Accuracy	$\pm 5\%$ F.S. of inclined range
Connections	For 4-6 mm hose (inside diameter)

DPA-	Inclined scale	Vertical scale
100P	0 - 100 Pa	100 - 400 Pa
200P	0 - 200 Pa	200 - 500 Pa
300P	0 - 300 Pa	300 - 500 Pa
500P	0 - 500 Pa	

WELL TYPE MANOMETER



ACCESSORIES AND OPTIONS

- Scale in other units than kPa. e.g., mm W.C.
- Special scale markings
- Customers logo
- Hoses

Model DPP

The well type manometer model DPP is intended for reliable monitoring and accurate measurement of low pressure and pressure differential in applications where good clear visual indication is required. The well type manometer has a wider range than inclined tube manometers. It is suitable for use in laboratories, high-pressure fans, filters and for flow rate/velocity measurement in the field as well as laboratories.

FEATURES

- Clear and easy reading
- Good contrast
- Zero adjustment screw
- Large filling liquid reservoir
- Provided with filling liquid and mounting screws

TYPICAL APPLICATIONS

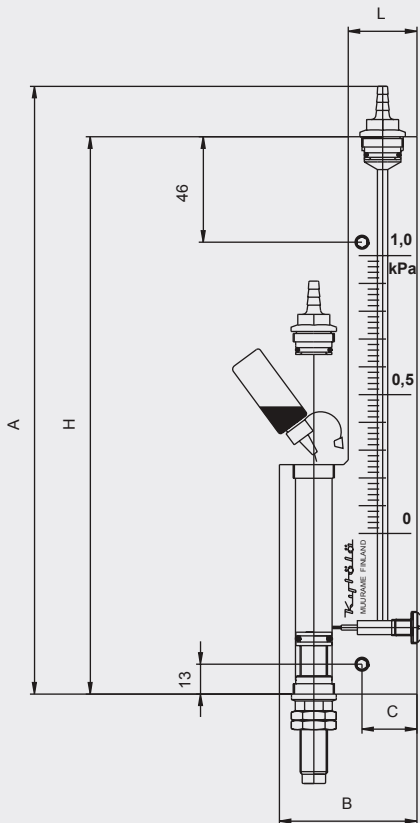
- Air conditioning strainers
- Blowers
- Dust filters
- Pressurized enclosures
- Laboratories
- Flow rate and velocity measurement
- Annealing furnaces

WELL TYPE MANOMETER



Technical data DPP

Model	DPP-1K	DPP-2K	DPP-3K	DPP-4K	DPP-5K
Weight	350g	450g	600g	950g	1050g
Metering liquid	Red, hydrocarbon mixture, $\rho=0,78$				
Body	Acrylic (PMMA)				
Connectors	Polycarbonate (PC)				
Seals	Nitrile				
Max. static pressure	10 bar				
Ambient temperature	-40 ... +50 °C				
Accuracy	$\pm 2,5\%$ of reading, $\pm 10\text{Pa}$				
Connections	For 4-6 mm hose (inside diameter)				



DPP-	
	Scale
1K	0 - 1 kPa
2K	0 - 2 kPa
3K	0 - 3 kPa
4K	0 - 4 kPa
5K	0 - 5 kPa

DPP-	A	B	C	H	L
1K	max. 317	60	24	243	30
2K	" 447	60	24	373	30
3K	" 578	60	24	504	30
4K	" 709	70	31	635	40
5K	" 840	70	31	766	40